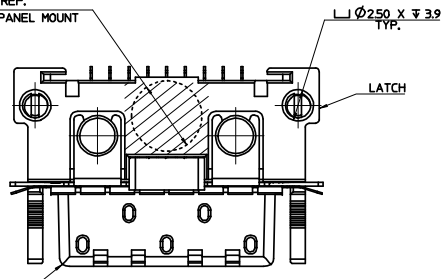
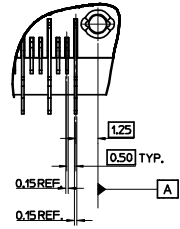


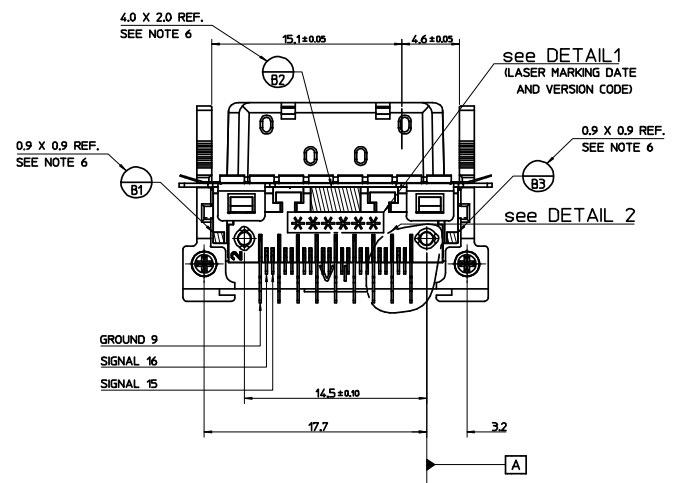
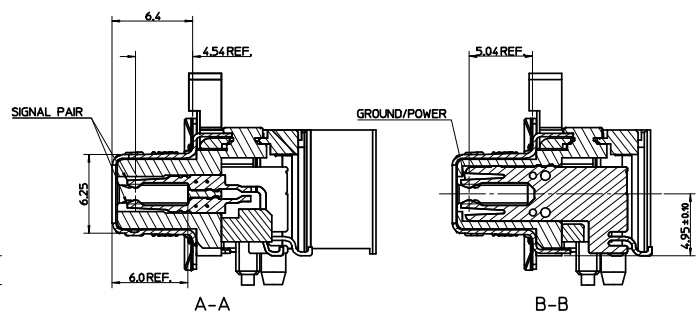
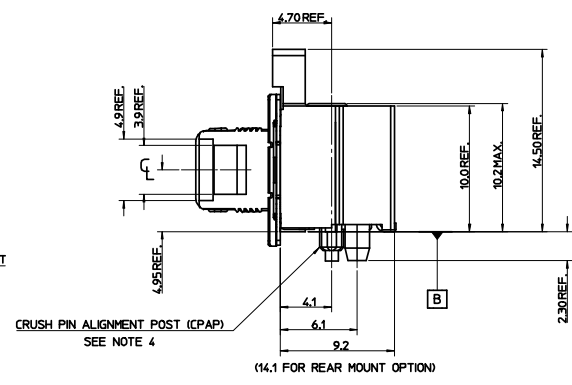
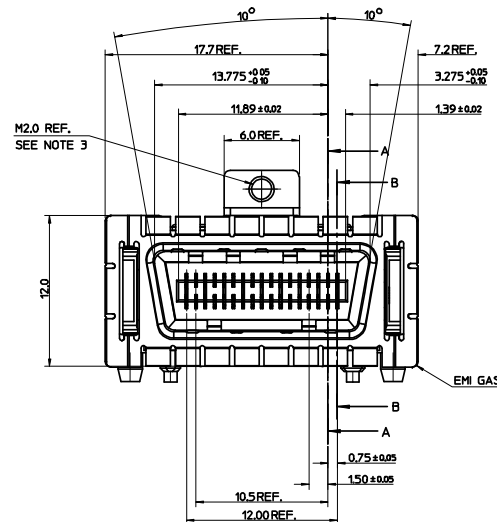
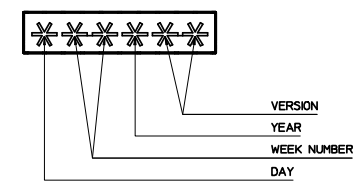
Ø5.60 REF.  
Ø6.25 REF. W/O PANEL MOUNT  
SEE NOTE 7



DETAIL 2  
Scale 7:1



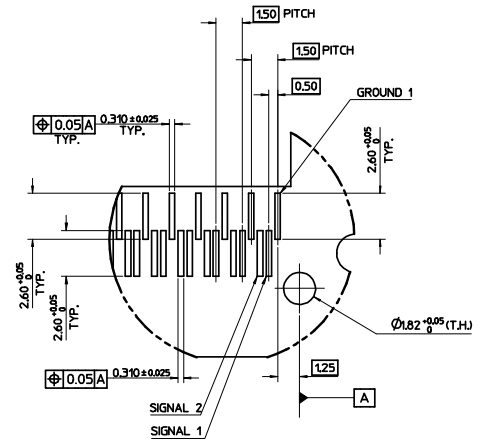
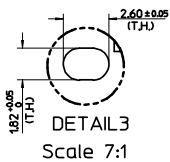
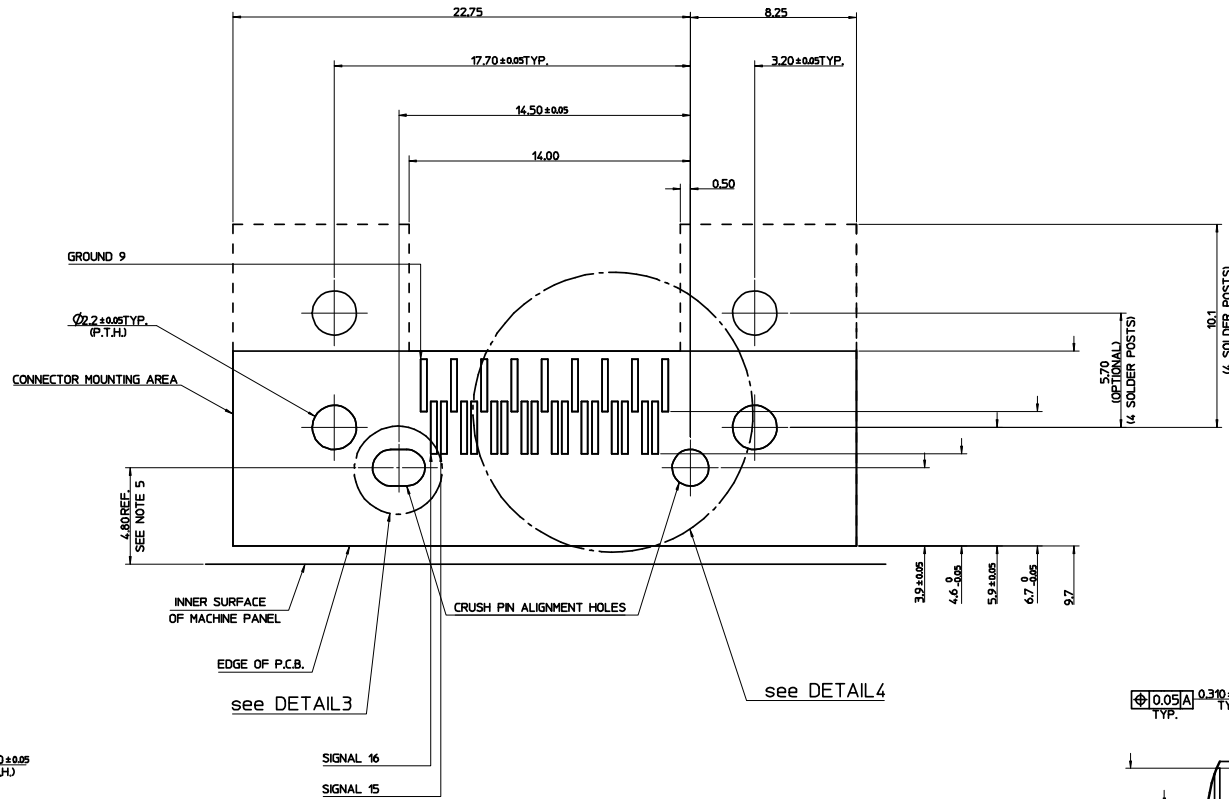
DETAIL 1  
Scale 10:1



- NOTES:
1. PRODUCT SPECIFICATION PS-91525-001
  2. PACKAGING SPECIFICATION PK-91525-002 (TRAY) AND PK-91525-004 (TAPE AND REEL)
  3. SCREW THREAD M2.0 X 0.4 PITCH TAPPED THROUGH, RECOMMENDED SCREW M2 X 0.4 PITCH, LENGTH 8mm, WITH A PAN HEAD, RECOMMENDED TORQUE 0.3Nm.
  4. CPAP USED TO ALIGN THE SOLDER TAILS WITH THE PCB SOLDER PADS.
  5. RECEPTACLE CONTACTS 127µm MIN NICKEL ALL OVER CONTACT AREA 0.10µm MIN GOLD OVER 0.76µm MIN PALLADIUM NICKEL SMT AREA 3µm MIN TIN.
  6. PCB DATUM B = B1 + B2 + B3
  7. PICK AND PLACE AREA FOR VACUUM PICK UP.
  8. FOR 12X PARTS PLEASE REFER TO SD-91525-004.
  9. FOR 4X PARTS WITH FOAM GASKET PLEASE REFER TO SD-91804-001

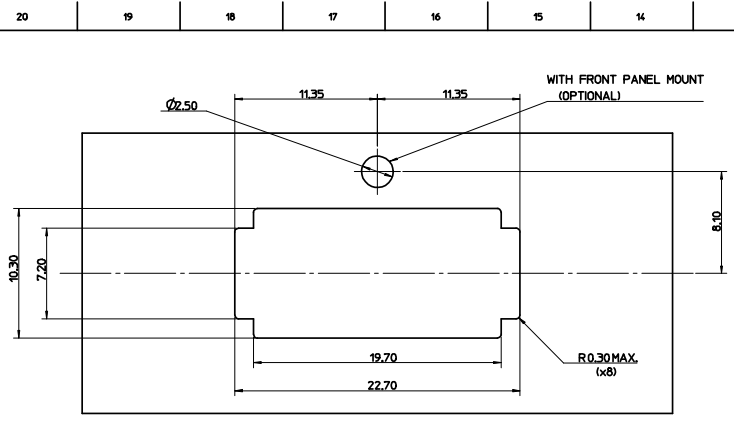
Mod to sub housing EC NO: E2008-0258 DRAWN BY: KIERMAN CHKD: 2008/05/02 APPR: BMAGUIRE 2008/05/06	QUALITY SYMBOLS	GENERAL TOLERANCES (UNLESS SPECIFIED)	DIMENSION STYLE	SCALE	DESIGN UNITS	THIRD ANGLE PROJECTION
	$\nabla=0$ $\nabla=0$	mm INCH 4 PLACES ± --- ± --- 3 PLACES ± --- ± --- 2 PLACES ± 0.1 ± --- 1 PLACE ± 0.2 ± --- ANGULAR ± 2°	MM ONLY	5:1	METRIC	
	DESCRIPTION	DRAFT WHERE APPLICABLE MUST REMAIN WITHIN DIMENSIONS	DRAWN BY DATE SMCREEVY 09/03/05 CHECKED BY DATE KDELANEY 09/03/05 APPROVED BY DATE JWALLACE 09/03/05	TITLE	LANELINK F CONN 4X LATCH VERSION WITH OPTIONAL EMI SHIELD & MTL GKT	
	MATERIAL NO.	SEE SHEET 4&5	DOCUMENT NO. SD-91804-003	MOLEX INCORPORATED	SHEET NO.	1 OF 5

RECOMMENDED PCB LAYOUT  
(SHOWING PCB REAR MOUNTING HOLES OPTION)



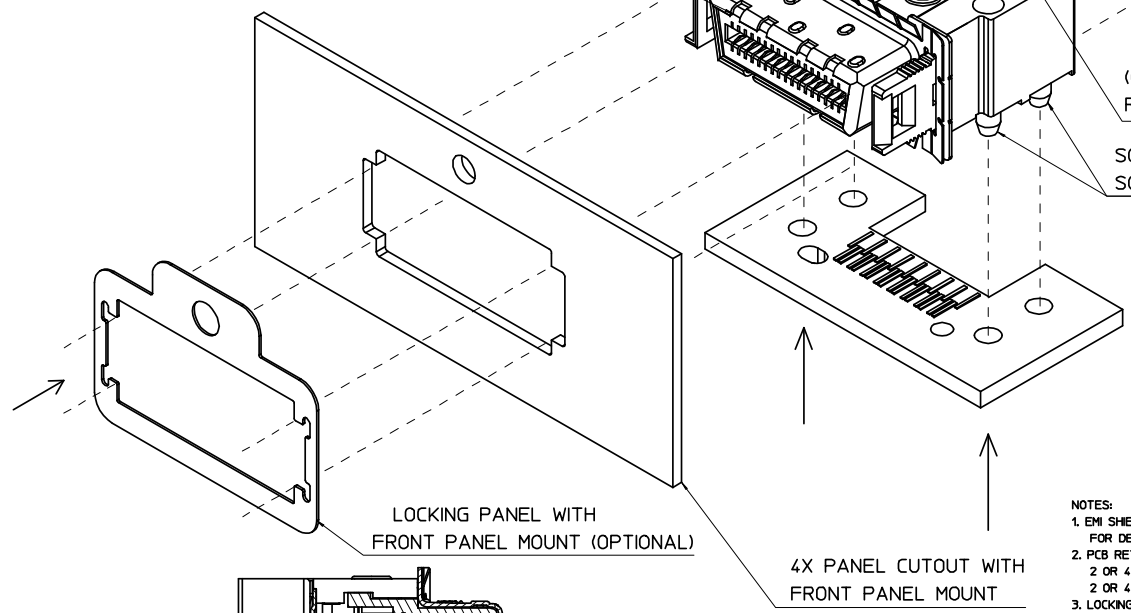
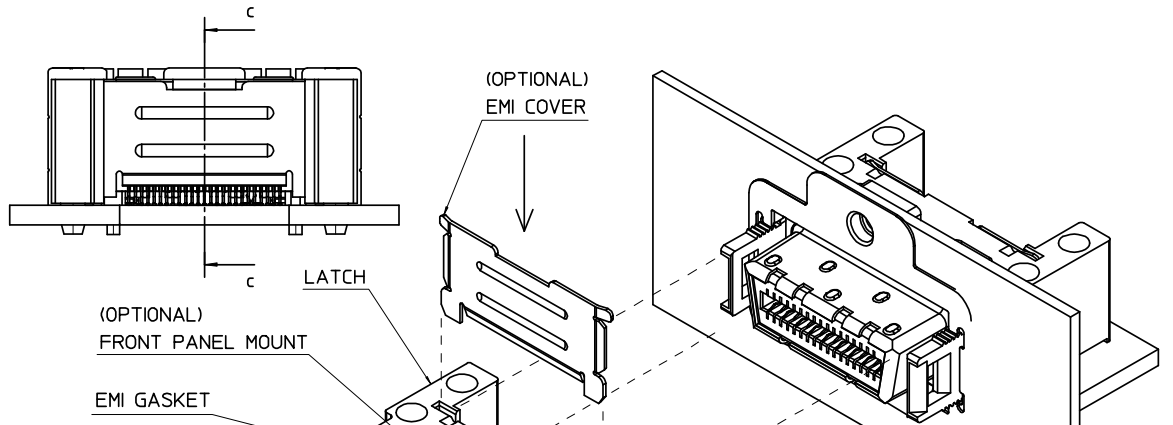
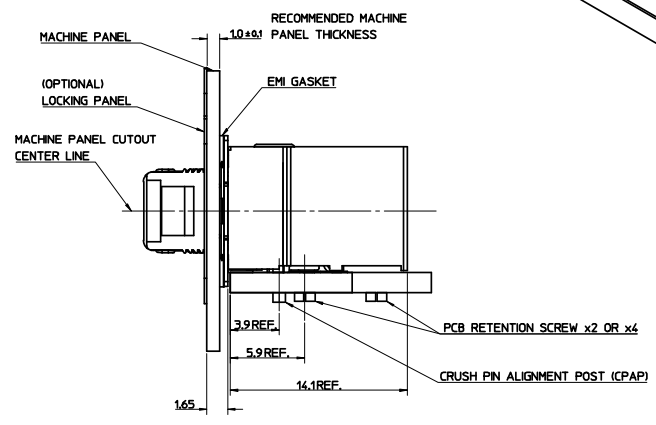
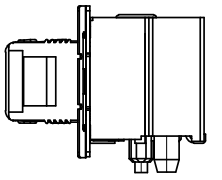
- NOTES:
1. AREAS OUTLINED TO BE FREE OF COMPONENTS
  2. ALL HOLE SIZES ARE FINISHED HOLE SIZES
  3. FOR ANY UNSPECIFIED DIMENSIONS OR NOTES SEE SHEET 1
  4. RANGE OF PCB THICKNESSES: 1.6 TO 2.10mm INCLUSIVE.  
LONGER SOLDER POSTS AVAILABLE FOR OTHER PCB THICKNESSES.  
FOR FURTHER INFORMATION PLEASE CONTACT LOCAL SALES OFFICE.
  5. THE DESIGN CAN ACCOMMODATE DIFFERENT VALUES OF THIS DIMENSION BY VARYING THE EMI GASKET THICKNESS.  
  
FOR FURTHER INFORMATION PLEASE CONTACT YOUR LOCAL SALES OFFICE

SEE SHEET 1 EC NO: E2008-0458 DRAWN BY: DRINKLIERMAN CHKD: 2008/05/02 APPROV: BMAGUIRE 2008/05/06	QUALITY SYMBOLS =0 ≠0	DESCRIPTION	GENERAL TOLERANCES (UNLESS SPECIFIED)		DIMENSION STYLE		SCALE	DESIGN UNITS	THIRD ANGLE PROJECTION
			m	INCH	MM ONLY	8:1	METRIC		
	4 PLACES	±	---	±	---	DRAWN BY	DATE	TITLE	
	3 PLACES	±	---	±	---	SMCGREEVY	09/03/05	LANELINK F CONN 4X LATCH	
	2 PLACES	±	0.1	±	---	CHECKED BY	DATE	VERSION WITH OPTIONAL	
	1 PLACE	±	0.2	±	---	KDELANEY	09/03/05	EMI SHIELD & MTL GKT	
	ANGULAR		± 2 °		APPROVED BY		DATE	MOLEX INCORPORATED	
	DRAFT WHERE APPLICABLE MUST REMAIN WITHIN DIMENSIONS		SEE SHEET 4 & 5		JWALLACE		09/03/05	DOCUMENT NO. SD-91804-003	
	SIZE 1		THIS DRAWING CONTAINS INFORMATION THAT IS PROPRIETARY TO MOLEX INCORPORATED AND SHOULD NOT BE USED WITHOUT WRITTEN PERMISSION		MATERIAL NO.		DOCUMENT NO.	SHEET NO. 2 OF 5	



RECOMMENDED 4X PANEL CUTOUT

CONNECTOR WITHOUT OPTIONAL FEATURES



- NOTES:
1. EMI SHIELD IS TO BE ASSEMBLED TO CONNECTOR AFTER REFLOW (OPTIONAL) FOR DETAILS OF EMI SHIELD SEE SALES DRAWING SD-91789-001
  2. PCB RETENTION OPTIONS:  
2 OR 4 SCREWS, 14 FOR REAR MOUNT OPTIONS  
2 OR 4 SOLDER POSTS, 14 FOR REAR MOUNT OPTIONS
  3. LOCKING PANEL (91532) ONE PER CONNECTOR, ORDER SEPERATELY. SEE SALES DRAWING SD-91532-001

SEE SHEET 1 ELEC NO: E2008-0456 DRAWN BY: DRINKLIERMAN CHKD: 2008/05/02 APPR: BMAGUIRE 2008/05/06	QUALITY SYMBOLS	GENERAL TOLERANCES (UNLESS SPECIFIED)	DIMENSION STYLE	SCALE	DESIGN UNITS	THIRD ANGLE PROJECTION
	$\nabla=0$ $\nabla=0$	mm    INCH 4 PLACES ± --- ± --- 3 PLACES ± --- ± --- 2 PLACES ± 0.1 ± --- 1 PLACE ± 0.2 ± --- ANGULAR ± 2°	MM ONLY	5:1	METRIC	
	DESCRIPTION	DRAFT WHERE APPLICABLE MUST REMAIN WITHIN DIMENSIONS	DRAWN BY: SMCREEVY    DATE: 09/03/05 CHECKED BY: KDELANEY    DATE: 09/03/05 APPROVED BY: JWALLACE    DATE: 09/03/05	TITLE	LANELINK F CONN 4X LATCH VERSION WITH OPTIONAL EMI SHIELD & MTL GKT	
	MATERIAL NO.	SIZE	SEE SHEET 4&5 SD-91804-003	MOLEX INCORPORATED DOCUMENT NO.	SHEET NO. 3 OF 5	

4X LATCH I/O	
REAR MOUNTS	NO
PANEL MOUNT	NO
SOLDER POSTS	NO

PART NO.	PACKAGING
91804-0411	TRAY
91804-8411	TAPE AND REEL

4X LATCH I/O	
REAR MOUNTS	YES
PANEL MOUNT	NO
SOLDER POSTS	NO

PART NO.	PACKAGING
91804-0413	TRAY
91804-8413	TAPE AND REEL

4X LATCH I/O	
REAR MOUNTS	YES
PANEL MOUNT	YES
SOLDER POSTS	NO

PART NO.	PACKAGING
91804-0415	TRAY
91804-8415	TAPE AND REEL

4X LATCH I/O	
REAR MOUNTS	NO
PANEL MOUNT	YES
SOLDER POSTS	NO

PART NO.	PACKAGING
91804-0417	TRAY
91804-8417	TAPE AND REEL

4X LATCH I/O	
REAR MOUNTS	NO
PANEL MOUNT	NO
SOLDER POSTS	2

PART NO.	PACKAGING
91804-0451	TRAY
91804-8451	TAPE AND REEL

4X LATCH I/O	
REAR MOUNTS	YES
PANEL MOUNT	NO
SOLDER POSTS	4

PART NO.	PACKAGING
91804-0453	TRAY
91804-8453	TAPE AND REEL

4X LATCH I/O	
REAR MOUNTS	YES
PANEL MOUNT	YES
SOLDER POSTS	4

PART NO.	PACKAGING
91804-0455	TRAY
91804-8455	TAPE AND REEL

4X LATCH I/O	
REAR MOUNTS	NO
PANEL MOUNT	YES
SOLDER POSTS	2

PART NO.	PACKAGING
91804-0457	TRAY
91804-8457	TAPE AND REEL

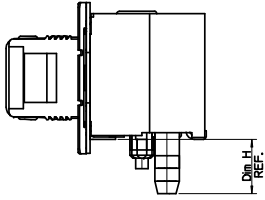
NOTES:  
 1. REFER TO SHEET 1 FOR ALL UNSPECIFIED DIMENSIONS  
 2. REFER TO SHEET 2 FOR PCB LAYOUT  
 3. REFER TO SHEET 3 FOR RECOMMENDED ASSEMBLY COMPONENTS AND DIMENSIONS  
 4. FOR 12X PARTS PLEASE REFER TO SD-91525-004

QUALITY SYMBOLS	DESCRIPTION
$\nabla=0$	
$\nabla=0$	

SEE SHEET 1	EC NO: E2008-0428	2008/04/28
DRW: M. KIRMAN	CHKD: M. KIRMAN	2008/05/02
APPR: M. KIRMAN	APPR: M. KIRMAN	2008/05/06

GENERAL TOLERANCES (UNLESS SPECIFIED)		DIMENSION STYLE		SCALE	DESIGN UNITS	THIRD ANGLE PROJECTION
		MM ONLY		3:1	METRIC	
4 PLACES ± --- ± ---		DRAWN BY		DATE		TITLE LANELINK F CONN 4X LATCH VERSION WITH OPTIONAL EMI SHIELD & MTL GKT
3 PLACES ± --- ± ---		SMCGREEVY		09/03/05		
2 PLACES ± 0.1 ± ---		CHECKED BY		DATE		
1 PLACE ± 0.2 ± ---		KDELANEY		09/03/05		
ANGULAR ± 2°		APPROVED BY		DATE		
DRAFT WHERE APPLICABLE MUST REMAIN WITHIN DIMENSIONS		JWALLACE		09/03/05		
		MATERIAL NO.		DOCUMENT NO.		
		SEE SHEET 4&5		SD-91804-003		
		SIZE A1		SHEET 4 OF 5		
THIS DRAWING CONTAINS INFORMATION THAT IS PROPRIETARY TO MOLEX INCORPORATED AND SHOULD NOT BE USED WITHOUT WRITTEN PERMISSION						

# SOLDER POST LENGTH OPTIONS

	NO SOLDER POSTS	TRAY	91804-0411	91804-0413	91804-0415	91804-0417
		TAPE & REEL	91804-8411	91804-8413	91804-8415	91804-8417
Dim H = 2.3		TRAY	91804-0451	91804-0453	91804-0455	91804-0457
		TAPE & REEL	91804-8451	91804-8453	91804-8455	91804-8457
Dim H = 3.3		TRAY	91804-0461	91804-0463	91804-0465	91804-0467
		TAPE & REEL	91804-8461	91804-8463	91804-8465	91804-8467
Dim H = 4.3		TRAY	91804-0491	91804-0493	91804-0495	91804-0497
		TAPE & REEL	91804-8491	91804-8493	91804-8495	91804-8497

<b>SEE SHEET 1</b> EC NO: E2008-0236 DRAWN BY: DRWNLK/TERMAN CHKD: 2008/05/02 APPR: BMAGUIRE 2008/05/06	QUALITY SYMBOLS ▽=0 ▽=0	GENERAL TOLERANCES (UNLESS SPECIFIED) mm    INCH 4 PLACES ± --- ± --- 3 PLACES ± --- ± --- 2 PLACES ± 0.1 ± --- 1 PLACE ± 0.2 ± --- ANGULAR ± 2°	DIMENSION STYLE <b>MM ONLY</b>	SCALE 3:1	DESIGN UNITS METRIC	THIRD ANGLE PROJECTION
	DRAWN BY: SMCGREEVY DATE: 09/03/05 CHECKED BY: KDELANEY DATE: 09/03/05 APPROVED BY: JWALLACE DATE: 09/03/05	TITLE LANELINK F CONN 4X LATCH VERSION WITH OPTIONAL EMI SHIELD & MTL GKT	MATERIAL NO. SEE SHEET 4&5	DOCUMENT NO. SD-91804-003	SHEET NO. 5 OF 5	
	DRAFT WHERE APPLICABLE MUST REMAIN WITHIN DIMENSIONS					
	THIS DRAWING CONTAINS INFORMATION THAT IS PROPRIETARY TO MOLEX INCORPORATED AND SHOULD NOT BE USED WITHOUT WRITTEN PERMISSION					